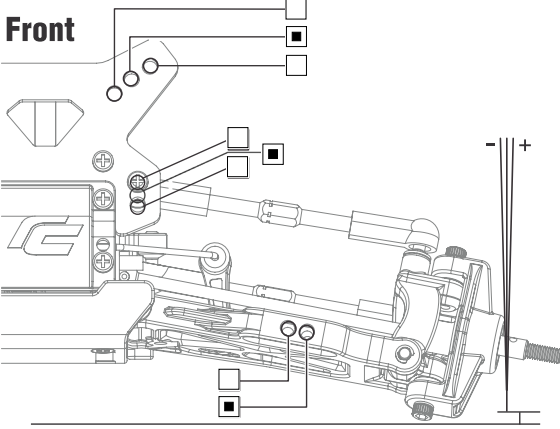


Driver **Craig Harris** Date **Dec 2013** Air temp. _____ Humidity _____

Track **Caldicot Club** Track Condition _____ Track temp. _____



Camber

L **1** °
R **1** °

Ride height
12 mm

Front Tire

Type **schumacher**
rallyblock
Hardness
white

Front Axle

Ball Diff. Solid Axle
One Way
Loose Tight Gear Diff.

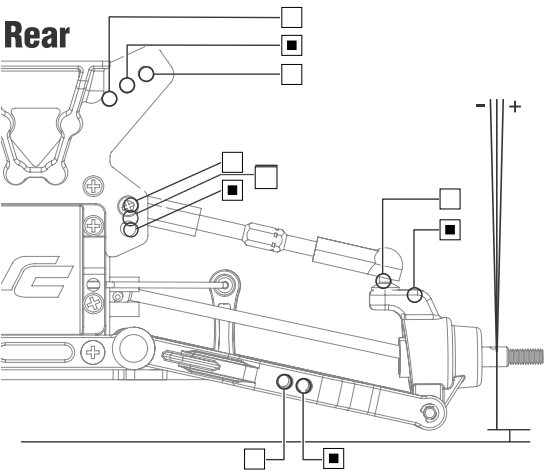
Oil Shock

Front **1** mm
Rear **4.5** mm

Oil Front **35**
Rear **45**
Oil Shock length Front **70.5** mm
Rear **78** mm

Spring Front **hard**
Rear **medium**

Piston Front **#2** Holes
Rear **#3** Holes



Camber

L **2** °
R **2** °

Ride height
13 mm

Rear Tire

Type **scumacher**
rallyblock
Hardness
white

Rear Axle

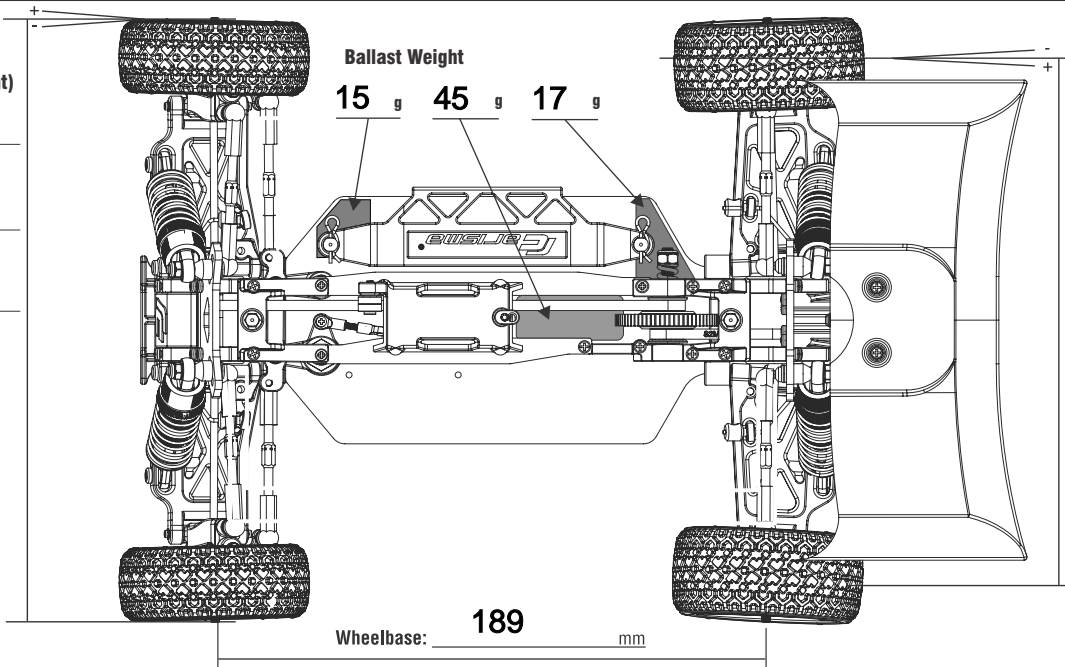
Ball Diff. Solid Axle
One Way
Loose Tight Gear Diff.

Toe Angle (Front)

-1

F sus.mount :
Front **high**

Rear
kit



Toe Angle (Rear)

3

R sus.mount :
Front **kit**

Rear
3

Front width : **190** F sus. arm spacer : **wide hex** R sus. arm spacer : **wide hex** Rear width : **190**

Motor : **Leopard 5800kv** Spur gear : **60** Pinion gear : **15** Battery : **Turnigy 2200** Body : **kit**

Wing : **kit** Front Tire Insert : **schumacher blue** Rear Tire Insert : **schumacher blue**

Servo : **Savox SH1257mg** Front Anti Roll Bar : **1.0mm** Rear Anti Roll Bar : **1.1mm** Best lap : _____

Memo : **Thumbs Designs shocktowers, weight kit and diff balls** Overall Weight : **925g**