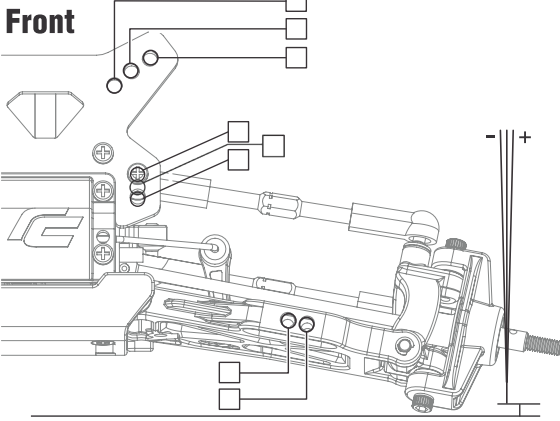


Driver \_\_\_\_\_ Date \_\_\_\_\_ Air temp. \_\_\_\_\_ Humidity \_\_\_\_\_

Track \_\_\_\_\_ Track Condition \_\_\_\_\_ Track temp. \_\_\_\_\_



### Camber

L \_\_\_\_\_ °

R \_\_\_\_\_ °

Ride height  
\_\_\_\_\_ mm

### Front Tire

Type \_\_\_\_\_

Hardness \_\_\_\_\_

### Front Axle

Ball Diff.  Solid Axle

One Way

Loose Tight Gear Diff.

### Oil Shock

Front \_\_\_\_\_ mm

Rear \_\_\_\_\_ mm

### Spring

Front \_\_\_\_\_

Rear \_\_\_\_\_



Oil  
Front \_\_\_\_\_

Rear \_\_\_\_\_

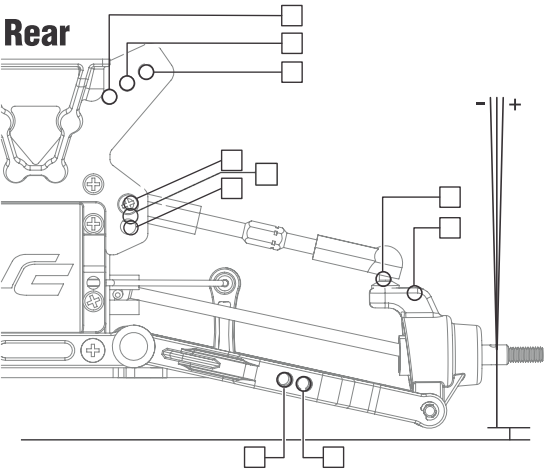
Oil Shock length  
Front \_\_\_\_\_ mm

Rear \_\_\_\_\_ mm

### Piston

Front \_\_\_\_\_ Holes

Rear \_\_\_\_\_ Holes



### Camber

L \_\_\_\_\_ °

R \_\_\_\_\_ °

Ride height  
\_\_\_\_\_ mm

### Rear Tire

Type \_\_\_\_\_

Hardness \_\_\_\_\_

### Rear Axle

Ball Diff.  Solid Axle

One Way

Loose Tight Gear Diff.

Toe Angle (Front)

F sus.mount :  
Front

Rear

Ballast Weight

g g g

Toe Angle (Rear)

R sus.mount :  
Front

Rear

Wheelbase: \_\_\_\_\_ mm

Front width : \_\_\_\_\_ F sus. arm spacer : \_\_\_\_\_ R sus. arm spacer : \_\_\_\_\_ Rear width : \_\_\_\_\_

Motor : \_\_\_\_\_ Spur gear : \_\_\_\_\_ Pinion gear : \_\_\_\_\_ Battery : \_\_\_\_\_ Body : \_\_\_\_\_

Wing : \_\_\_\_\_ Front Tire Insert : \_\_\_\_\_ Rear Tire Insert : \_\_\_\_\_

Servo : \_\_\_\_\_ Front Anti Roll Bar : \_\_\_\_\_ Rear Anti Roll Bar : \_\_\_\_\_ Best lap : \_\_\_\_\_

Memo : \_\_\_\_\_ Overall Weight : \_\_\_\_\_