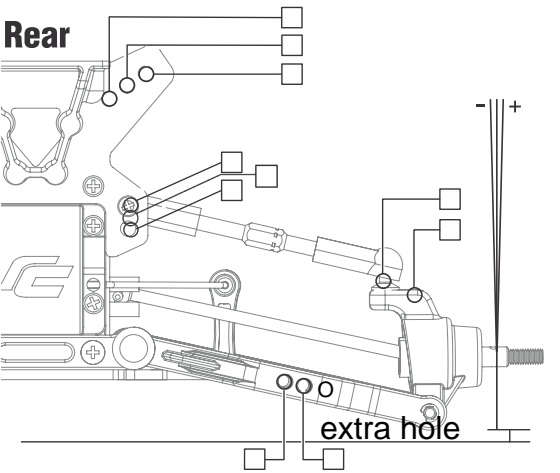
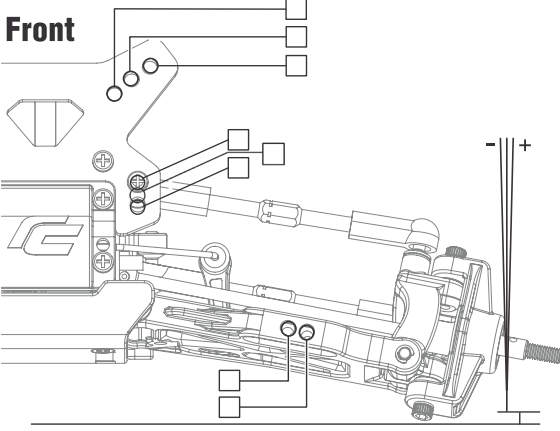


Driver _____ Date _____ Air temp. _____ Humidity _____

Track _____ Track Condition high bite carpet, hardboard corner, hardboard
tight wallride, big air jump Track temp. _____



Camber

L _____ °

R _____ °

Ride height _____ mm

Camber

L _____ °

R _____ °

Ride height _____ mm

Front Tire

Type _____

Hardness _____

Front Axle

Ball Diff. Solid Axle

One Way

Loose Tight Gear Diff.

10,000wt

Oil Shock

Front _____ mm

Rear _____ mm

Spring Front _____

Rear _____

Oil Front _____

Rear _____

Oil Shock length Front _____ mm

Rear _____ mm

Piston Front _____ Holes

Rear _____ Holes

Rear Tire

Type _____

Hardness _____

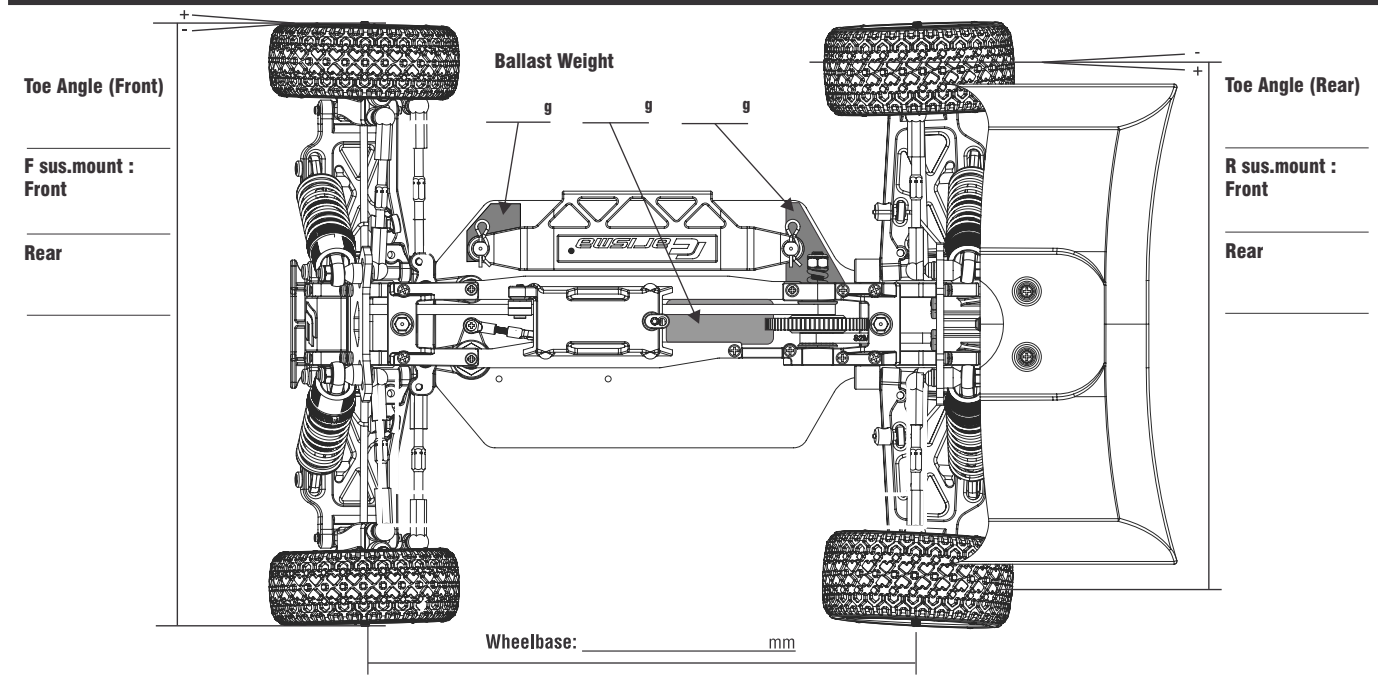
Rear Axle

Ball Diff. Solid Axle

One Way

Loose Tight Gear Diff.

5000wt



Front width : _____ F sus. arm spacer : _____ R sus. arm spacer : _____ Rear width : _____

Motor : Leopard 2435 5800kv Ver2 Spur gear : _____ Pinion gear : _____ Battery : intellect 1800 hardcase Body : _____

Wing : _____ Front Tire Insert : _____ Rear Tire Insert : _____

Servo : _____ Front Anti Roll Bar : _____ Rear Anti Roll Bar : _____ Best lap : _____

Memo : _____ Overall Weight : _____